

New to range 2934001 – Brake Pad Set for Jost Trailer Axles

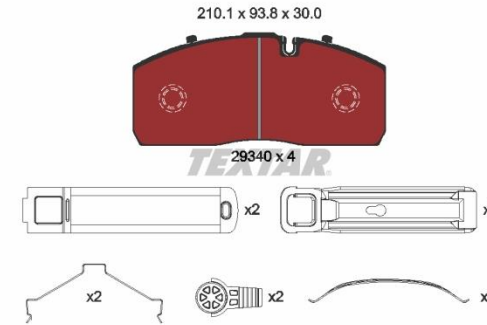
Specification

- Brake Pad Width : 210.3mm
- Brake Pad Height: 94mm
- Brake Pad Thickness: 30mm
- Quality: T3060
- Technical Information No: 29340 300 1 4
- Trade Numbers: 29340
- EAN/IPC Code: 4019733603129
- ECER90 Ref: E11 02A0263/71711
- With Accessories: Included
- Wear Warning Contact: prepared
- Surface Coating: Red Surface Coating

For full datasheet please find details in



2934001 Product Images



Material Specification
Textar T3060

Main Vehicle Application
All Trailer applications

Main Brake Manufacturer/Type
Haldex DS2, Knorr SB 9, Knorr SB 7, Knorr SB 1.1, Mafac HDT 18, Wabco PAB 18.1, Wabco PAB 18.2

OE Status
OE disc pad material

General Description
Recommended material for Trailer application

Features and benefits
Textar T3060 is a pH mixed, high performance friction material with excellent frictional stability and disc compatibility.

Friction Performance/Output

Friction Level	very low	low	medium	high	very high
μ (%)	< 0.27	0.27-0.30	0.31-0.34	0.35-0.38	> 0.38

www.textar.com
brakebook.com
www.textar.brakebook.com

Service Information | Service Information
03/2024

FRICITION SURFACE RED COATING FOR COMMERCIAL VEHICLE DISC BRAKE PADS

Textar friction surface coating has numerous purposes and effects:

- Increased initial friction coefficient until operational value is reached
- Reduces the axial time required for the new pad to "load in"
- Improves initial braking performance
- Optimized bedding-in properties on brake discs that have not been cleaned or skimmed properly
- Reduces any surface debris and contamination that remain on the disc

Friction surface coating

Fully bedded in
with maximum surface contact

Non bedded new
disc brake pad with surface coating giving maximum surface contact

Non bedded new
disc brake pad with surface coating giving maximum surface contact

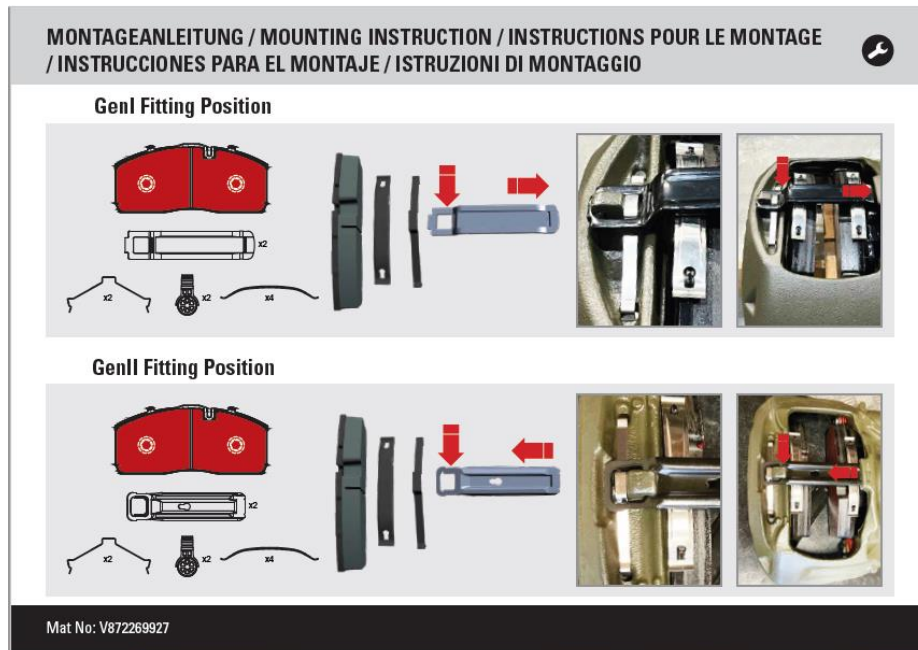
Further information under www.brakebook.com
www.textar.brakebook.com

New to range 2934001 – Brake pad set for Haldex DBT22LT brake technology

TEXTAR[®]

BRAKE TECHNOLOGY

- 2934001 brake pad set suitable for brake system Haldex ModuIT DBT22LT for GenI and GenII Jost trailer applications
- 2 calipers – one brake pad set
- Accessories include retaining plates for both GenI and GenII applications



New to range 2934001 – Brake Pad Set for Jost axle applications

Trailer axle Applications – Jost/Mercedes Benz

- DCA-L7 22.5" GenI and GenII
- Jost axles serial numbers starting 2307xxxxxx (GenII)
- Launched by Jost 06/23(GenII)



OE References:

- Haldex – 96656
- Jost – JAE0250410020 – GenI
- Jost – JAE0250420020 - GenII

OE Part Numbers

All manufacturers' numbers including any description and/or symbols are for reference only. Whilst every effort has been made to ensure the accuracy of the information, no liability is given or implied for any error or omission

The Perfect Partner for your fleet

Textar brake pads and brake discs

Utilising cutting-edge brake technology, Textar brakes are precision engineered to offer maximum safety, performance and comfort. This uncompromising approach has been the very ethos of Textar for more than 100 years. And it's the reason why Textar remains a trusted partner to the world's leading vehicle manufacturers today.

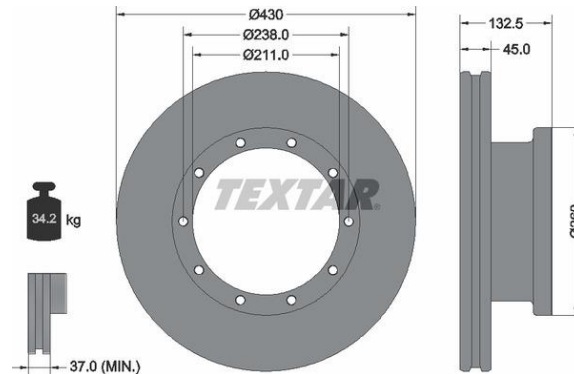
The optimum braking result can only be achieved with brake discs precisely tailored to the brake pad. It is this philosophy that has also made us experts in terms of the right "friction partner" for our brake pads. The Textar disc range is manufactured in strict accordance to O.E. tolerances and meets the ECE R90 requirements.



Textar brake disc to partner with 2934001 - 93087900

Brake disc for Trailer Applications – Jost

- DCA-L7 22.5" GenI and GenII



93087900

For full datasheet please find details in



OE References:

- Jost – JAE 01 104 01 12
- Mercedes Benz – A 942 423 00 12
- Mercedes Benz – A 942 423 01 12

OE Part Numbers

All manufacturers' numbers including any description and/or symbols are for reference only. Whilst every effort has been made to ensure the accuracy of the information, no liability is given or implied for any error or omission