

| IN THE PURSUIT OF CONTROL |



New to Range

2917310 Brake Pad Set

2917411 Brake Pad Set

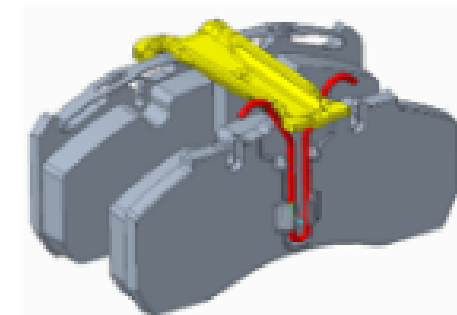
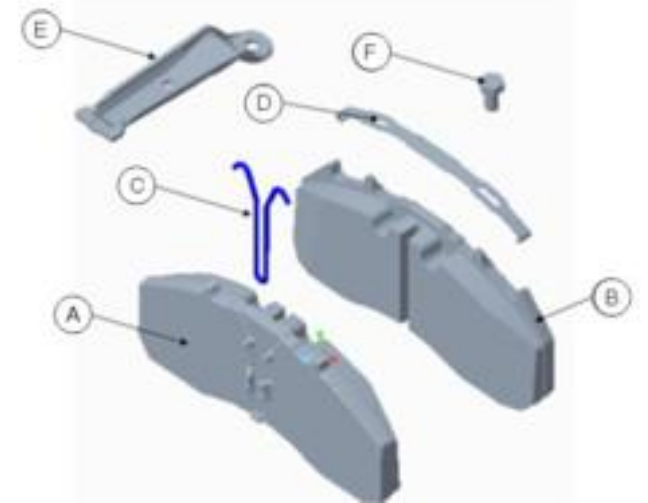
2927303 Brake Pad Set

2927203 Brake Pad Set

October 2025

Volvo/Renault Drag Free (Active Pad Retraction – APR) Textar Alternative Offer

- APR - Volvo/Renault initiative launched for new heavy and medium vehicles from December 2023
- Meritor Elsa 225-1 and Elsa 225-3 brake calipers – new generation
- Designed to actively retract the brake pads from the disc after braking, using a spring mechanism
- Reduces residual friction, improving fuel efficiency and minimizing brake wear
- By reducing the drag caused by pads lightly contacting the disc during normal driving, the system supports sustainability and environmental goals
- Can retrofit backwards to older calipers
- Can also be known as Positive Pad Retraction (PPR)
- Due to patent restrictions the OES version is **NOT** available in the IAM
- The Textar offer is compatible with the new caliper which is achieved by adding a retainer similar to the OES option (see illustration E).
- The Textar offer does not include the patented spring design and therefore does not contribute to the drag free design



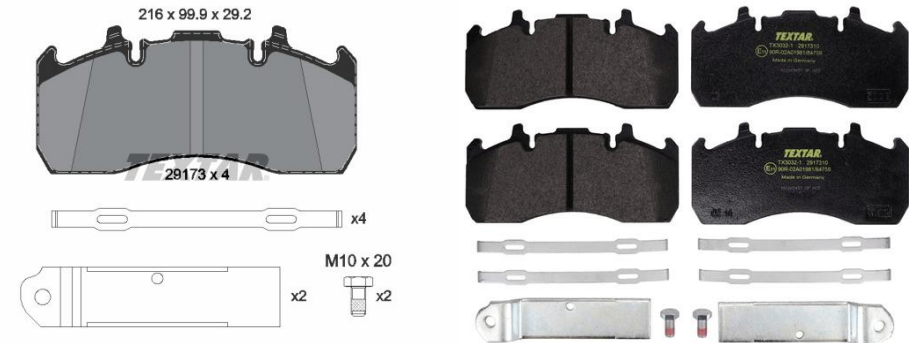
New to range

2917310 – Brake Pad Set for Volvo/Renault truck applications Elsa 225-1 Caliper

Specification

- Brake Pad Width: 216.1 mm
- Brake Pad Height: 99.9 mm
- Brake Pad Thickness: 29.2 mm
- Friction Material: TX3032-1
- Packaging Length: 285.0 mm
- Packaging Width: 292.0 mm
- Packaging Height: 72.0 mm
- Technical Information No: 29173 292 4 4
29173
- EAN/IPC Code: 4019722621710
- ECE R90 Ref: E11-90R02A01981/84759
- Accessories: Included
- Wear Warning Contact: Prepared
- Surface Coating: None

2917310 Product Images



New to range

2917310 – Brake Pad Set for Volvo/Renault truck applications Elsa 225-1 Caliper

Volvo & Renault Truck Applications

- Renault D models 12/2023 >
- Volvo FL III Series 12/2023 >
- Front and rear axles
- Can also retrofit old models fitted with Meritor Elsa 225-1 brake system

OE References

- Renault – 5001864365
- Renault – 7422921058
- Renault – 7424204883*
- Renault – 7424204889*
- Renault – 24204883* Renault – 24204889*
- Volvo – 20560414 Volvo – 21352573
- Volvo – 20568712 Volvo – 24169894*
- Volvo – 20568715



OE Part Numbers

*All manufacturers' numbers including any description and/or symbols are for reference only. Whilst every effort has been made to ensure the accuracy of the information, no liability is given or implied for any error or omission * OE references are not a direct equivalent due to patents not being available in the aftermarket*

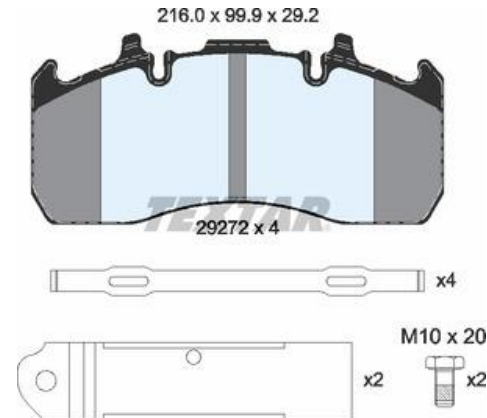
New to range

2927203 – Brake Pad Set for Volvo/Renault truck applications Elsa 225-1 Caliper

Specification

- Brake Pad Width: 216.1 mm
- Brake Pad Height: 99.9 mm
- Brake Pad Thickness: 29.2 mm
- Friction Material: TX7600-1
- Packaging Length: 285.0 mm
- Packaging Width: 292.0 mm
- Packaging Height: 72.0 mm
- Technical Information No: 29272 292 4 4
29272
- EAN/IPC Code: 4019722622915
- ECE R90 Ref: E11-90R02A01981/84749
- Accessories: Included
- Wear Warning Contact: Prepared
- Surface Coating: Transparent

2927203 Product Images



New to range

2927203 – Brake Pad Set for Volvo/Renault truck applications Elsa 225-1 Caliper

Volvo & Renault Truck Applications

- Renault D models 12/2023 >
- Volvo FH Aero, FH16 Aero, FH, FL III, FM, FMX models 12/2023 >
- Front and rear axles
- Can also retrofit old models fitted with Meritor Elsa 225-1 brake system

OE References

- Renault – 24204883
- Renault – 7421496556
- Renault – 7422921065
- Renault – 7424204883
- Renault – 7424204889
- Volvo – 21496551
- Volvo – 24204888
- Volvo – 24169894*
- Volvo – 24204889

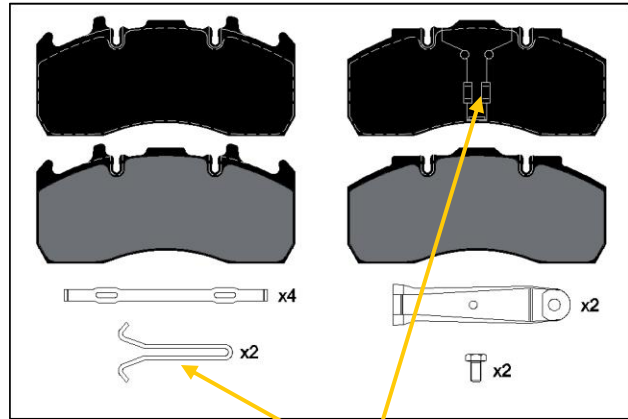


OE Part Numbers

*All manufacturers' numbers including any description and/or symbols are for reference only. Whilst every effort has been made to ensure the accuracy of the information, no liability is given or implied for any error or omission * OE references are not a direct equivalent due to patents not being available in the aftermarket*

Meritor Elsa 225-1 Brake Pad APR Technology – Textar offer

Volvo/Renault OES

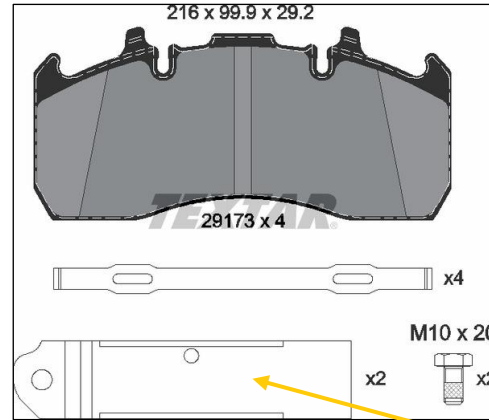


Volvo Renault patented parts – not available to Textar/IAM

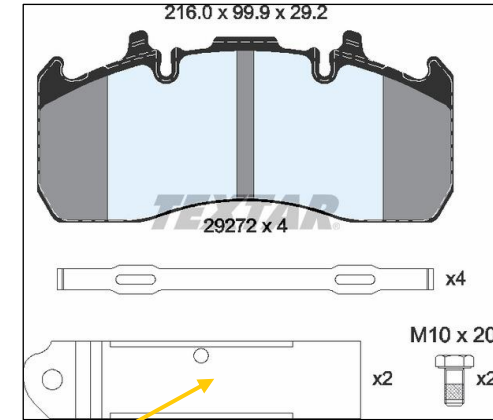
Different inboard and outboard brake pads

Elsa 225-1	Volvo	Renault
Brake Pad Set	24169894	24204883
Inboard Pad x 2	24068707	24204906
Outboard Pad x 2	24152610	24204910
Legacy Kit	24204888	24204889
Brake Pads x 4	24152610	24204910

Textar 2917310 TX3032-1



Textar 2927203 TX7600-1

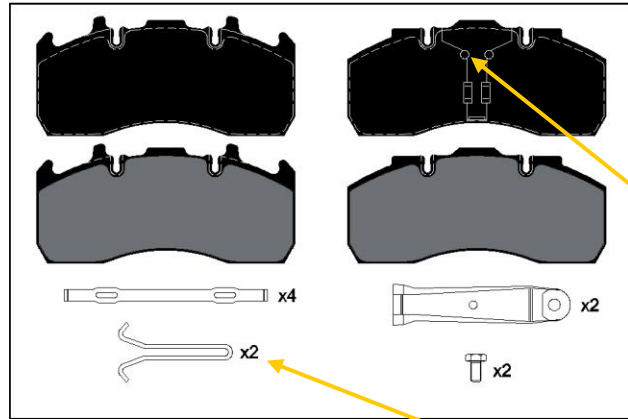


Textar have added 2 retainers to the accessory kit to allow the brake pads to fit to the new Elsa 225-1 brake caliper

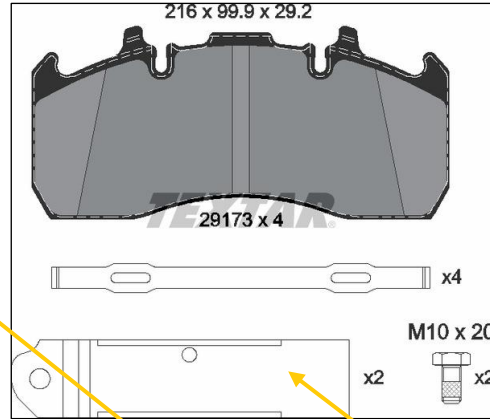
Textar brake pad sets are 4 of the same brake pad

Meritor Elsa 225-1 Brake Pad APR Technology – Textar offer

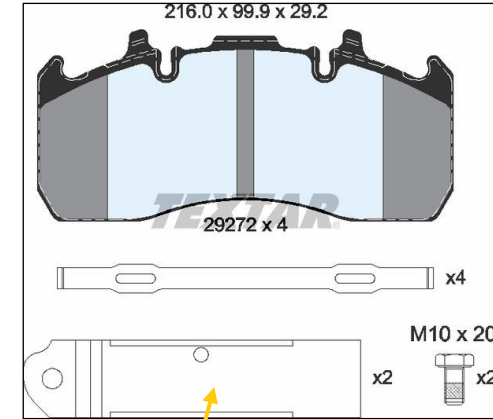
Volvo/Renault OES



Textar **2917310**
TX3032-1

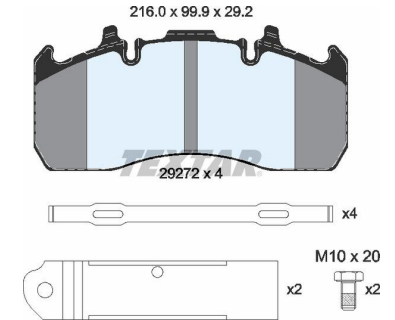
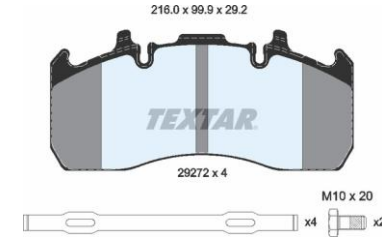
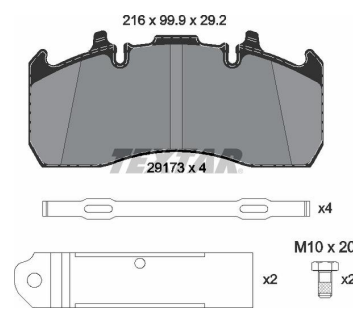
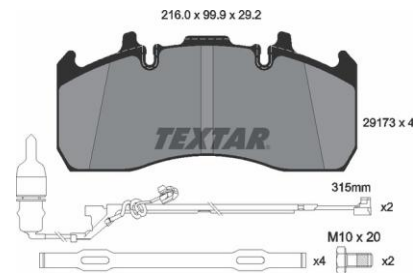
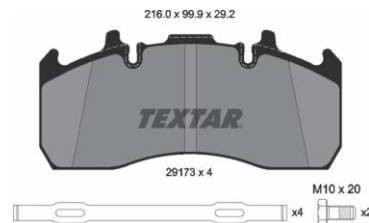


Textar **2927203**
TX7600-1



Volvo 24169894 Renault 24204883	Textar 2917310 New TX3032-1	Textar 2927203 New TX7600-1	Parts List	Notes
Qty	Qty	Qty		
2	2	2	Inboard Pad	Spring attachment for Volvo/Renault - not available in the IAM
2	2	2	Outboard Pad	
2	0	0	Return Spring	Spring not available in the IAM
2	4	4	Spring	
2	2	2	Retainer	Retainer allows Textar brake pads to fit new calipers
2	2	2	Hexagon Screw	

Brake Pads for Meritor Elsa 225-1



Part Number	2917301	2917303	2917310	2927201	2927203
Conventional Service Kit	✓	✓	✗	✓	✗
Wear Indicator Included	✗	✓	✗	✗	✗
Copper Free	✓	✓	✓	✓	✓
Friction Material	T3032/TX3032-1	T3032TX3032-1	TX3032-1	T7600TX7600-1	TX7600-1
Compatible with APR	✗	✗	✓	✗	✓

For applications pre 2021

For applications as of 2021

2917310 and 2927203 can retrofit conventional Elsa 225-1 calipers
 2917301, 2917303 and 2927201 are only compatible with conventional Elsa 225-1 calipers

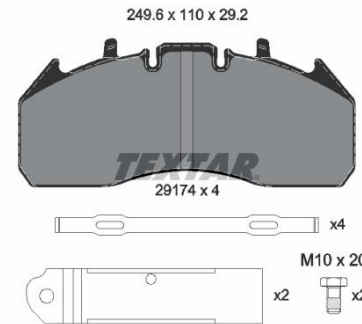
New to range

2917411 – Brake Pad Set for Volvo/Renault truck applications Elsa 225-1 Caliper

Specification

- Brake Pad Width: 249.6 mm
- Brake Pad Height: 110.0 mm
- Brake Pad Thickness: 29.2 mm
- Friction Material: TX3032-1
- Packaging Length: 285.0 mm
- Packaging Width: 292.0 mm
- Packaging Height: 72.0 mm
- Technical Information No: 29174 292 4 4
29174
8986D1758
- EAN/IPC Code: 4019722622908
- ECE R90 Ref: E11-90R02A01981/84763
- Accessories: Included
- Wear Warning Contact: Prepared
- Surface Coating: None

2917411 Product Images



New to range

2917411 – Brake Pad Set for Volvo/Renault truck applications Elsa 225-1 Caliper

Volvo & Renault Truck Applications

- Renault C models 12/2023 >
- Renault T models 12/2023 >
- Volvo – FH III 12/2023 >
- Volvo – FH16 12/2023 >
- Volvo – FM III 12/2023 >
- Volvo – FMX III 12/2023 >
- Front and rear axles
- Can also retrofit old models fitted with Meritor Elsa 225-3 brake system

OE References

- Renault – 5001864363 Renault – 5001864364
- Renault – 7421399929 Renault – 7422921057
- Renault – 7424204882* Renault – 7424204887*
- Volvo – 20526568 Volvo – 20560412
- Volvo – 20568711 Volvo – 20568714
- Volvo – 21352570 Volvo – 21496550
- Volvo – 23149532 Volvo – 24169892*
- Volvo – 24204886* Volvo – 24226155*
- Volvo – 24226156*



OE Part Numbers

*All manufacturers' numbers including any description and/or symbols are for reference only. Whilst every effort has been made to ensure the accuracy of the information, no liability is given or implied for any error or omission * OE references are not a direct equivalent due to patents not being available in the aftermarket*

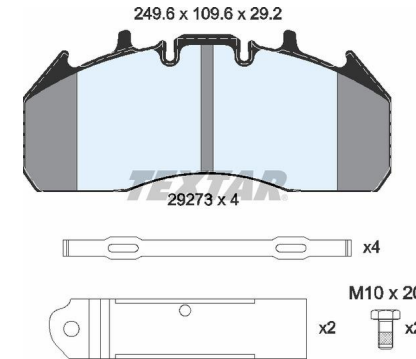
New to range

2927303 – Brake Pad Set for Volvo/Renault truck applications Elsa 225-3 Caliper

Specification

- Brake Pad Width: 249.6 mm
- Brake Pad Height: 109.6 mm
- Brake Pad Thickness: 29.2 mm
- Friction Material: TX7600-1
- Packaging Length: 285.0 mm
- Packaging Width: 292.0 mm
- Packaging Height: 72.0 mm
- Technical Information No: 29273 292 3 4
29273
- EAN/IPC Code: 4019722623141
- ECE R90 Ref: E11-90R02A01981/84748
- Accessories: Included
- Wear Warning Contact: Prepared
- Surface Coating: Transparent

2927303 Product Images



New to range

2927303 – Brake Pad Set for Volvo/Renault truck applications Elsa 225-3 Caliper

Volvo & Renault Truck Applications

- Renault C models 12/2023 >
- Renault T models 12/2023 >
- Volvo – FH III 12/2023 >
- Volvo – FH16 12/2023 >
- Volvo – FM III 12/2023 >
- Volvo – FMX III 12/2023 >
- Front and rear axles
- Can also retrofit old models fitted with Meritor Elsa 225-3 brake system

OE References

- | | |
|-------------------------|-----------------------|
| • Renault – 2420482 | Renault – 7421496555 |
| • Renault – 7422921064 | Renault – 7423149533 |
| • Renault – 7424204882* | Renault – 7424204887* |
| • UD Truck – 5222692958 | |
| • UD Truck – 5222828321 | |
| • UD Truck – 5222939731 | |
| • Volvo – 23149532 | Volvo – 24169892* |
| • Volvo – 24204886* | Volvo – 24226155* |

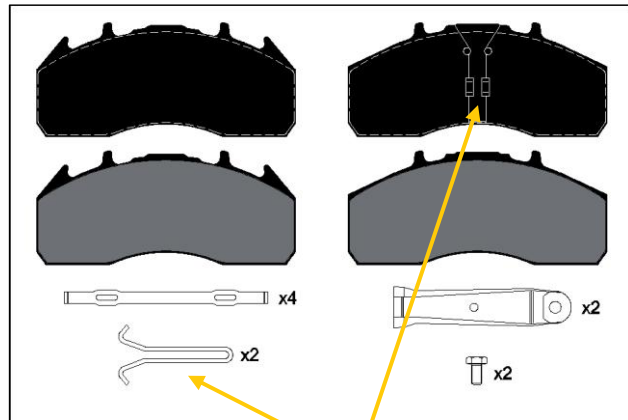


OE Part Numbers

*All manufacturers' numbers including any description and/or symbols are for reference only. Whilst every effort has been made to ensure the accuracy of the information, no liability is given or implied for any error or omission * OE references are not a direct equivalent due to patents not being available in the aftermarket*

Meritor Elsa 225-3 Brake Pad APR Technology – Textar offer

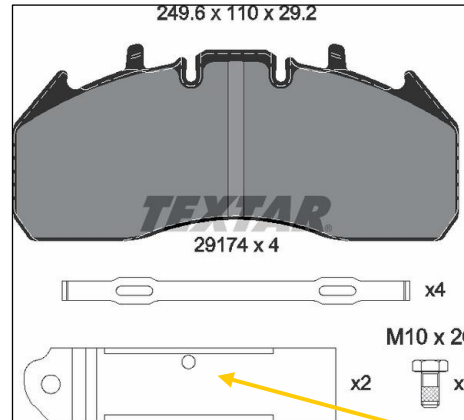
Volvo/Renault OES



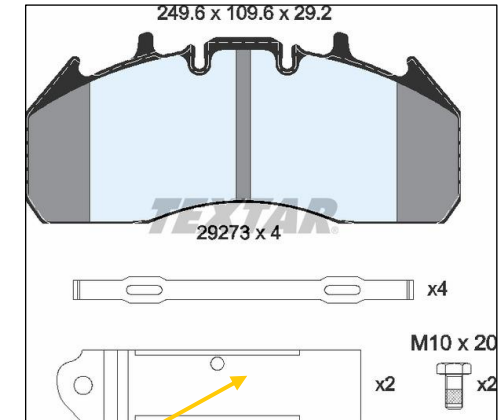
Volvo Renault patented parts – not available to Textar/IAM

Different inboard and outboard brake pads

Textar **2917411**
TX3032-1



Textar **2927303**
TX7600-1



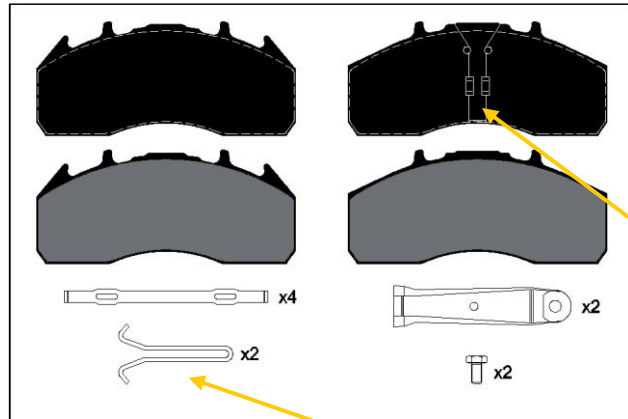
Textar have added 2 retainers to the accessory kit to allow the brake pads to fit to the new Elsa 225-1 brake caliper

Textar brake pad sets are 4 of the same brake pad

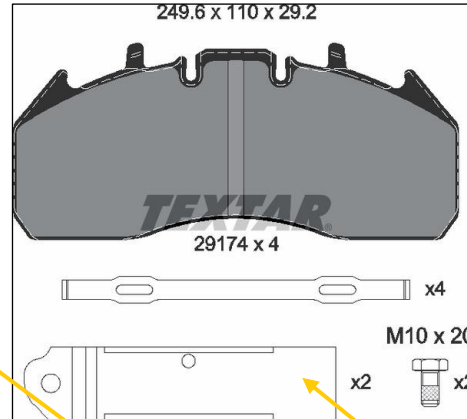
Elsa 225-3	Volvo	Renault
Brake Pad Set	24169892	24204882
Inboard Pad x 2	24068792	24204903
Outboard Pad x 2	24152608	24204909
Conventional Kit	24204886	24204887
Brake Pads x 4	24152608	24204909

Meritor Elsa 225-3 Brake Pad APR Technology – Textar offer

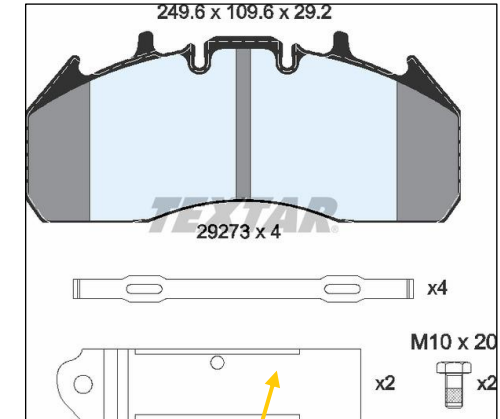
Volvo/Renault OES



Textar **2917411**
TX3032-1

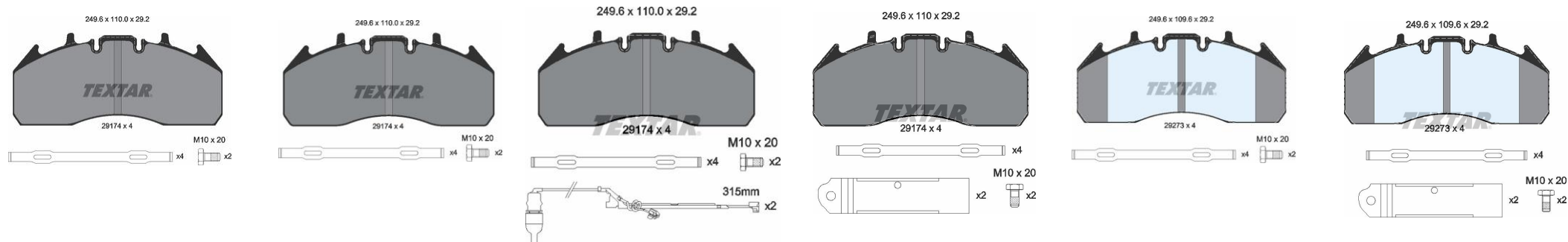


Textar **2927303**
TX7600-1



Volvo 24226155 Renault 24204882	Textar 2917411 New TX3032-1	Textar 2927303 New TX7600-1	Parts List	Notes
Qty	Qty	Qty		
2	2	2	Inboard Pad	Spring attachment for Volvo/Renault – not available in the IAM
2	2	2	Outboard Pad	
2	0	0	Return Spring	Spring not available in the IAM
2	4	4	Spring	
2	2	2	Retainer	Retainer allows Textar brake pads to fit new calipers
2	2	2	Hexagon Screw	

Brake Pads for Meritor Elsa 225-3



Part Number	2917401	2917402	2917403	2917411	2927301	2927303
Conventional Service Kit	✓	✓	✓	✗	✓	✗
Wear Indicator Included	✓	✓	✓	✗	✗	✗
Copper Free	✓	✓	✓	✓	✓	✓
Friction Material	TX3032-1	TX7400-1	T3032/TX3032-1	TX3032-1	T7600/TX7600-1	TX7600-1

For applications pre 2021

For applications as of 2021

2917310 and 2927203 can retrofit conventional Elsa 225-1 calipers
 2917301, 2917303 and 2927201 are only compatible with conventional Elsa 225-1 calipers

New to range

2917310, 2927203, 2917411 & 2927303 Brake Pad Set for Volvo/Renault truck applications – Elsa 225-1 & Elsa 225-3 Caliper

- Free from toxicologically hazardous fibres
- Free of copper and copper compounds
- Compatible with new Elsa 225-1 & Elsa 225-3 calipers with APR technology using new retainers in accessory kit



**Copper Free
friction
formulation**

Textar website - www.textar.com

WHAT'S NEW?

STAY INFORMED!

SIGN UP FOR OUR NEWSLETTER!

- ALL
- FIRST TO MARKET
- RANGE UPDATE
- TECHNICAL ARTICLES

RANGE UPDATE – Brake Pads for the SCANIA TRUCKS

[READ MORE](#)

Dec 16, 2024

New Textar® apad delivers silent and clean braking for Asian vehicles

[READ MORE](#)

Oct 14, 2024

Best practice tips for commercial vehicle brake pad replacement

[READ MORE](#)

Oct 11, 2024



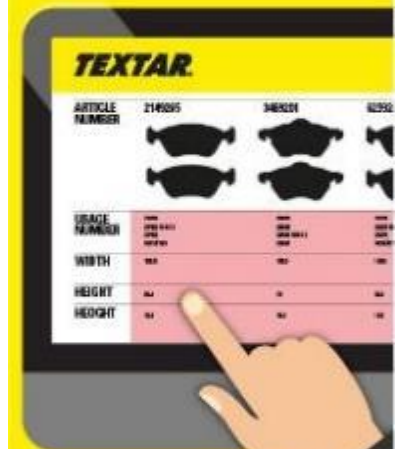
Textar Brakebook - More than just a catalogue



- Multiple part number search
- Personalized catalogue creation
- Weekly updates

TEXTAR

**COMPARE
UP TO 3
PRODUCTS
AT ONCE**



**PICK THE RIGHT
PRODUCT
EVERYTIME**



Textar Brakebook - Print on demand



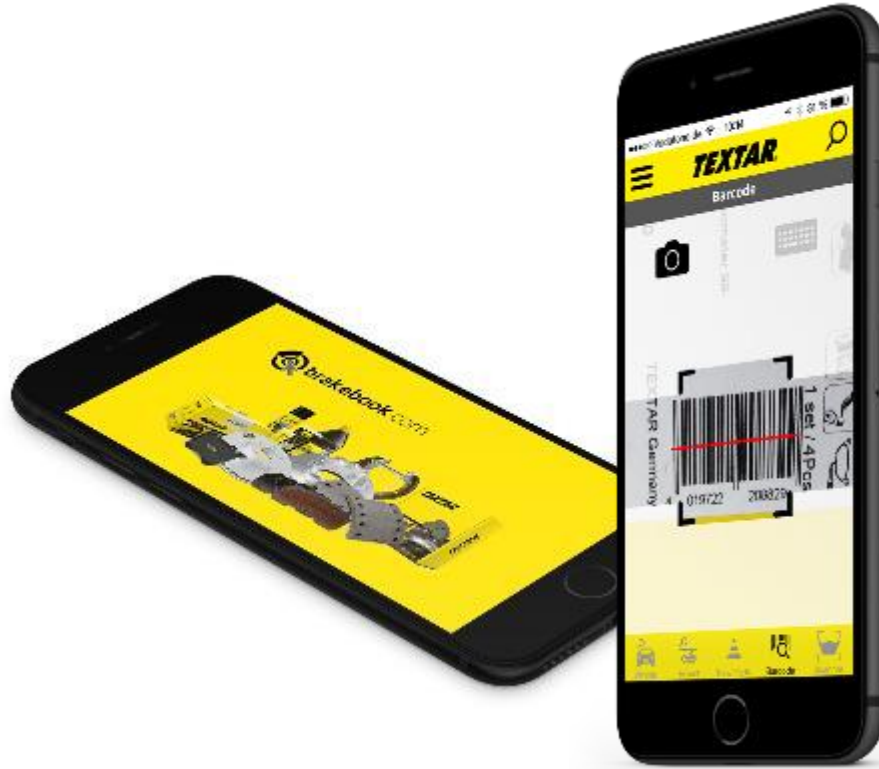
- Create your own catalogues
- For the entire product range, a selection of products or articles for particular manufacturers



Textar Brakebook - Free App for Android and IOS



- Direct access to all information
- Easy product search
- Free download
- Barcode scanner for product details



Textar Email Newsletter



Sign up for our Textar Newsletter:- <https://newsletter.tmdfriction-hub.com/>